



**GB 1540**

# LIST OF THE EXPLODED VIEWS



**SHELL ASSY**

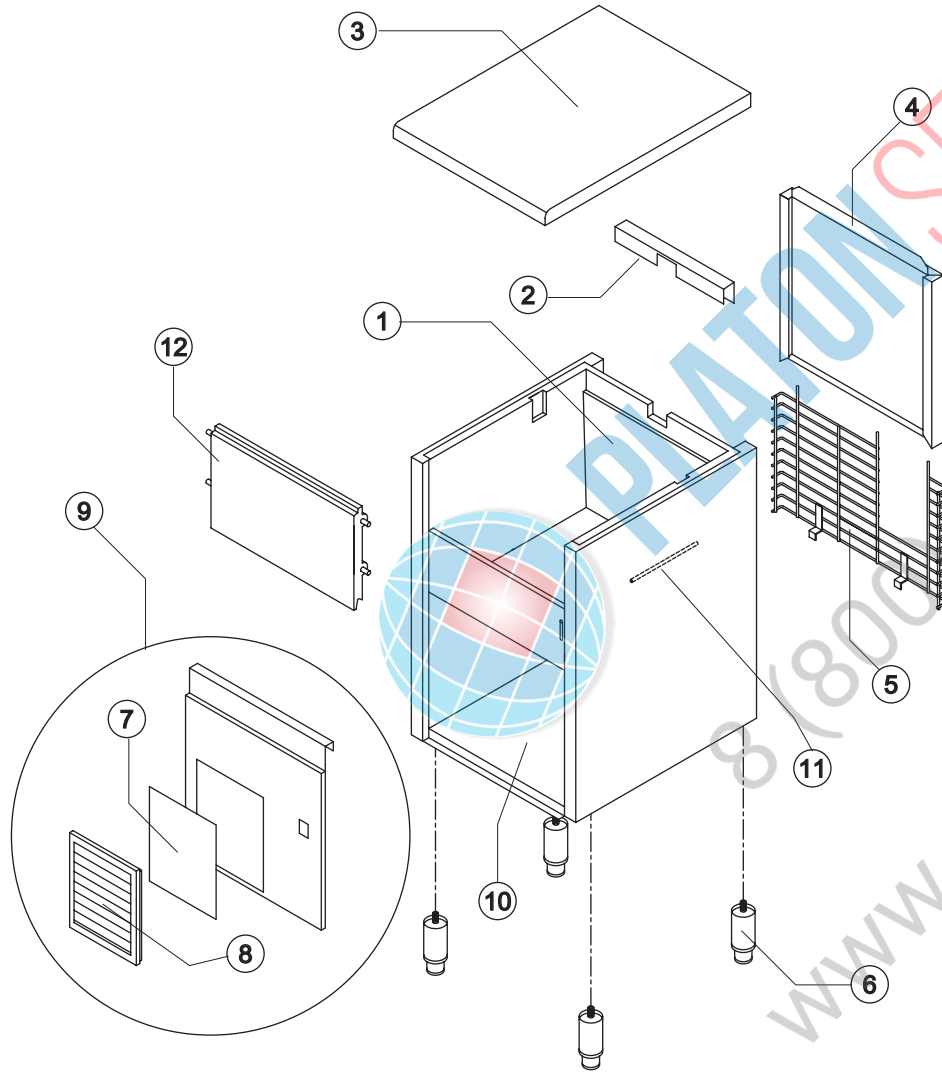
**COOLING SYSTEM**

**EVAPORATOR**

**HYDRAULIC CIRCUIT**

**ELECTRIC PARTS**

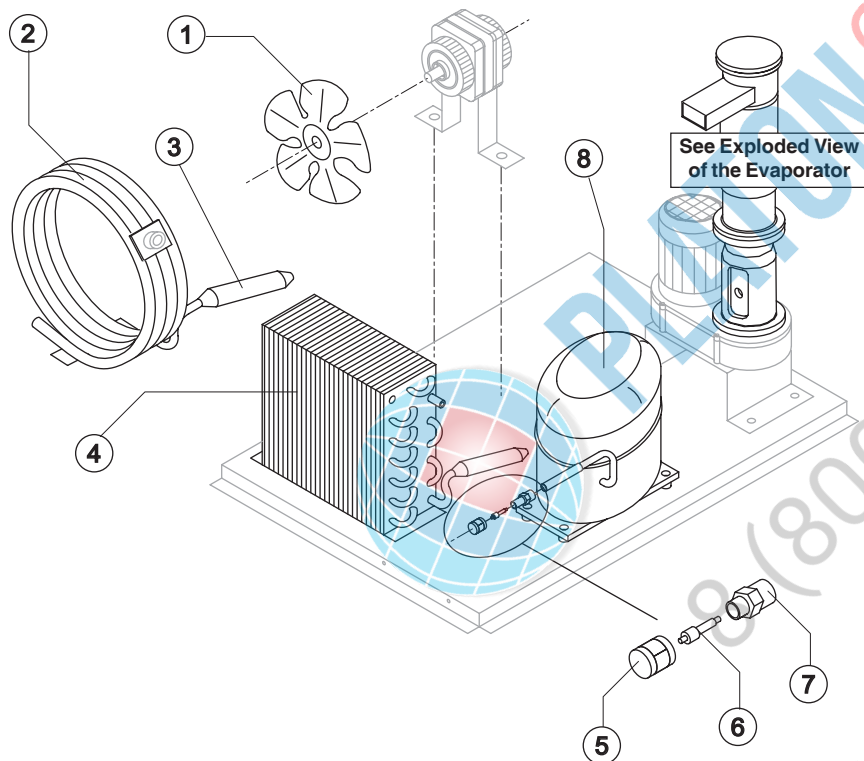
Rev. 10 - 17/06/2009



| Ref. | Spare Description               | Code             |
|------|---------------------------------|------------------|
| 1    | Foamed Cabinet Assy             | See Table        |
| 2    | Cover for Ice Exhaust           | 22592            |
| 3    | Top Assembly                    | C22690           |
| 4    | Rear Panel Assembly             | C21201           |
| 5    | Rear Grid                       | D12020           |
| 6    | Adjustable Stainless Steel Foot | Current Version  |
| 6    | ABS Foot                        | Till s/n. 142485 |
| 7    | Filtering Panel                 | 18106            |
| 8    | Frame + Grid & Filter           | C10205           |
| 9    | Front Grid Panel                | C22509           |
| 10   | Base Plate                      | Current Version  |
| 10   | Base Plate                      | Till s/n.142485  |
| 11   | Bulbe-holder Pipe               | 20522            |
| 12   | Door Assy                       | C10275           |

### Ref. 1 - Foamed Cabinet Assy

| Condensation | Code    |
|--------------|---------|
| Air          | C11097A |
| Water        | C11097W |



### Common Parts

| Ref. | Spare Description          | Code        |
|------|----------------------------|-------------|
| 3    | Molecular Drier            | 14009       |
| 5    | Vacuum-Charge Valve Plug   | 14006       |
| 6    | Vacuum-Charge Valve Body   | 14005       |
| 7    | Vacuum-Charge Valve Device | 14007       |
| 8    | Compressor                 | See Table - |

### Parts for Air-Cooled Version Only

| Ref. | Spare Description | Code                   |
|------|-------------------|------------------------|
| 1    | Sucking Fan       | 20031                  |
| 4    | Air Condenser     | Current Version 20558  |
| 4    | Air Condenser     | Till s/n. 347947 20175 |
| 4    | Air Condenser     | Till s/n.74774 20019   |

### Parts for Water-Cooled Version Only

| Ref. | Spare Description | Code  |
|------|-------------------|-------|
| 1    | Sucking Fan       | 10213 |
| 2    | Water Condenser   | 14014 |

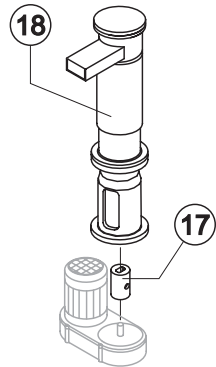
### Ref. 8 - Compressor

| Tension | Code   |
|---------|--------|
| T11     | 23832  |
| T12     | 23578A |
| T13     | 23679  |
| T19     | 23679  |

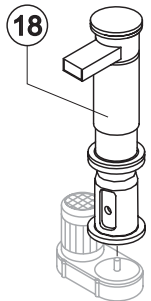


| Ref. | Spare Description (Current Version) | Code                      |
|------|-------------------------------------|---------------------------|
| 1    | Insulating Cap                      | Current Version 18170     |
| 1    | Insulating Cap                      | Till s/n. 180719 18164    |
| 2    | Closing Disk                        | 22825                     |
| 3    | Seeger                              | 20043                     |
| 4    | Stainless Steel Screw               | Current Version 20663     |
| 4    | Stainless Steel Screw               | Till s/n. 161504 15093    |
| 5    | Shimming Disk                       | 22826                     |
| 6    | Self-Lubricating Disk               | 20631                     |
| 7    | Stainless Steel Thrust Bearing      | 20686                     |
| 8    | OR Gasket 3087                      | Current Version 20688     |
| 8    | Seal Ring                           | Till s/n. 211897 20632    |
| 9    | Ice Breaker                         | 20626                     |
| 10   | Auger                               | Current Version 20783     |
| 10   | Auger with Screw                    | Till s/n. 223592 C20783   |
| 11   | Ceramic Seal                        | 20937                     |
| 12   | Insulated Evaporator                | C11107                    |
| 13   | OR Gasket 3162 NBR70                | 20429                     |
| 14   | Reduction Ring                      | Current Version 20785     |
| 14   | Reduction Ring                      | Till s/n. 223592 20624    |
| 15   | Stainless Steel Bearing             | Current Version 20782     |
| 15   | Stainless Steel Bearing             | Till s/n. 223592 20045    |
| 16   | Flange                              | 20629                     |
| 17   | Joint                               | Current Version D20784    |
| 17   | Joint                               | Till s/n. 223592 D20630   |
| 18   | Evaporator Assy                     | Current Version C11140    |
| 18   | Evaporator Assy                     | Till s/n. 223592 KITNEVGB |

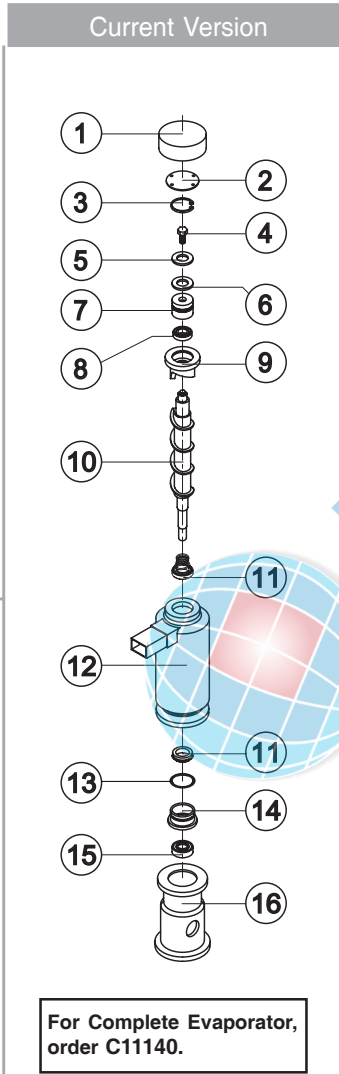
| Ref. | Spare Description (Till s/n.157640) | Code               |
|------|-------------------------------------|--------------------|
| 1    | Insulating Sponge                   | 18116              |
| 2    | Closing Disk                        | 22588              |
| 3    | Seeger Ring                         | 20434              |
| 4    | Stainless Steel Upper Bearing       | 20433              |
| 5    | Ice Breaker                         | 20440              |
| 6    | Auger                               | 20439              |
| 7    | Ceramic Seal                        | 20428              |
| 9    | OR Gasket 3162 NBR70                | 20429              |
| 10   | Reduction Ring                      | 20427              |
| 11   | Stainless Steel Thrust Bearing      | 20049              |
| 12   | Stainless Steel Bearing             | 20045              |
| 13   | Machined Joint Flange               | E20438             |
| 14   | Key                                 | 20431              |
| 15   | Semi-Joint                          | D20430             |
| 16   | Vibration-Damping Elastomer         | 20455              |
| 17   | Semi-Joint                          | D20454             |
| 18   | Evaporator Assy                     | ex C11095 KITNEVGB |



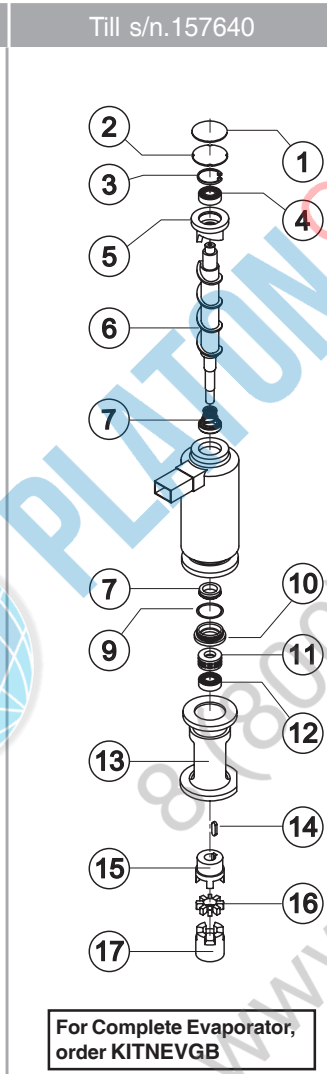
C11140



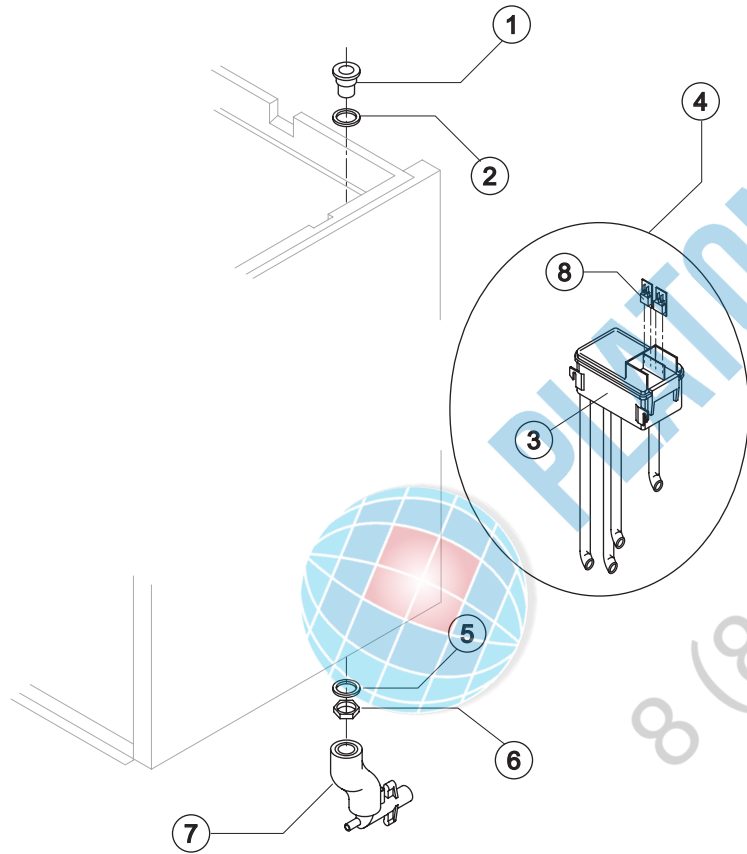
KITNEVGB



For Complete Evaporator, order C11140.



For Complete Evaporator, order KITNEVGB



### Common Parts

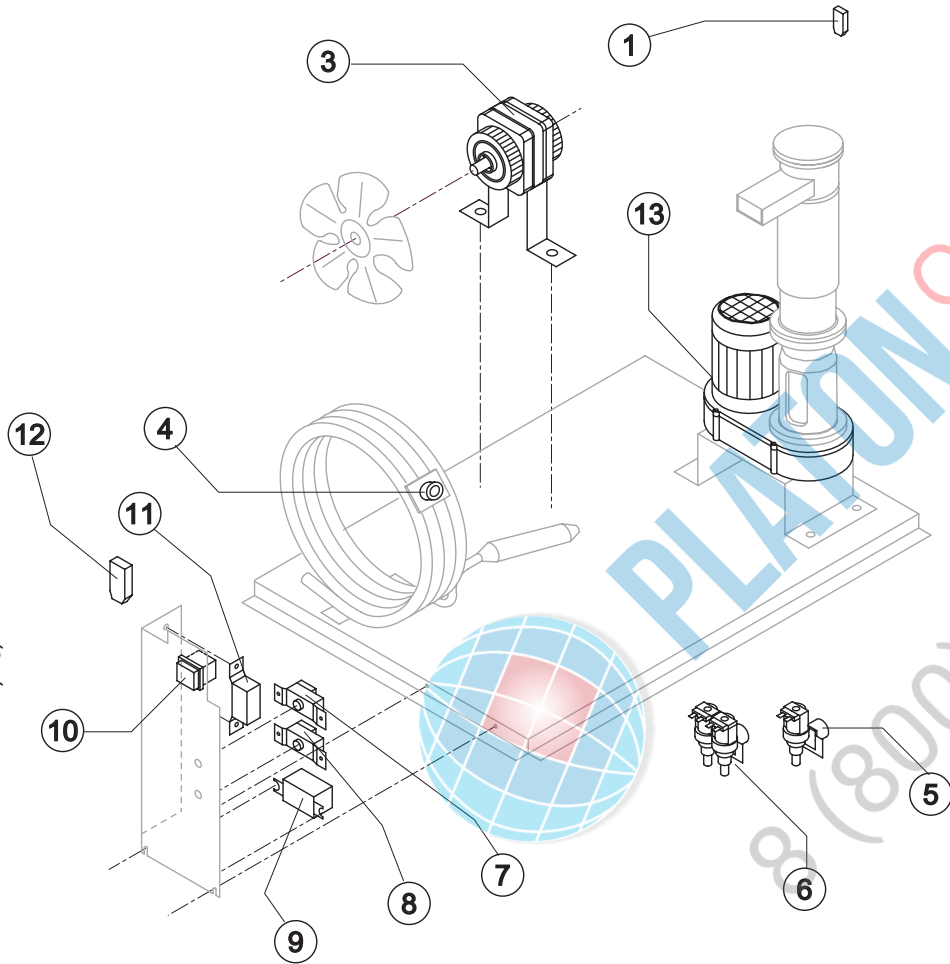
| Ref. | Spare Description             | Code     |
|------|-------------------------------|----------|
| 1    | Water Outlet Nipple           | 10472    |
| 2    | Silicone Gasket               | 13006    |
| 3    | Double Switch Basin           | 10145    |
| 4    | Double Switch Basin Assembly  | C10165GB |
| 5    | Semirigid Polyethylene Gasket | 13007    |
| 6    | Bin Discharge Nut             | 10096    |
| 8    | Microswitch                   | 23055    |

### Parts for Air-Cooled Version Only

| Ref. | Spare Description   | Code   |
|------|---------------------|--------|
| 7    | Discharges Manifold | C10235 |

### Parts for Water-Cooled Version Only

| Ref. | Spare Description   | Code   |
|------|---------------------|--------|
| 7    | Discharges Manifold | C10240 |



### Common Parts

| Ref. | Spare Description              | Code        |
|------|--------------------------------|-------------|
| 1    | Anti Radio Interference Filter | T11 C23457  |
| 3    | Fan Motor                      | See Table - |
| 7    | Bin Thermostat                 | R23005      |
| 8    | Evaporator Thermostat          | R23034      |
| 9    | Relay                          | See Table - |
| 10   | Green Light Switch (On-Off)    | 23327       |
| 11   | Condenser Pressure Switch      | See Table - |
| 12   | Anti Radio Interference Filter | T11 C23459  |
| 13   | Gearmotor                      | See Table - |

### Parts for Air-Cooled Version Only

| Ref. | Spare Description        | Code        |
|------|--------------------------|-------------|
| 5    | 1 Way- Water Inlet Valve | See Table - |

### Parts for Water-Cooled Version Only

| Ref. | Spare Description         | Code        |
|------|---------------------------|-------------|
| 4    | Safety Thermostat         | C23114      |
| 6    | 2 Ways- Water Inlet Valve | See Table - |

### Ref. 3 - Fan Motor

| Tension | Air   | Water |
|---------|-------|-------|
| T11     | 23067 | 23029 |
| T12     | 23681 | 23029 |
| T13     | 23621 | 23683 |
| T19     | 23621 | 23683 |

### Ref.5 - 1 Way-Water Inlet Valve

| Tension | Code  |
|---------|-------|
| T11     | 23115 |
| T12     | 23115 |
| T13     | 23410 |
| T19     | 23410 |

### Ref.6 - 2 Ways-Water Inlet Valve

| Tension | Code  |
|---------|-------|
| T11     | 23010 |
| T12     | 23010 |
| T13     | 23261 |
| T19     | 23261 |

### Ref. 9 - Relay

| Tension | Code  |
|---------|-------|
| T11     | 23190 |
| T12     | 23190 |
| T13     | 23557 |
| T19     | 23557 |

### Ref. 11 - Cond. Pressure Switch

| Tension | Code  |
|---------|-------|
| T11     | 23175 |
| T12     | 23175 |
| T13     | 23175 |
| T19     | 23680 |

### Ref. 13 - Gearmotor

| Tension | Code  |
|---------|-------|
| T11     | 23532 |
| T12     | 23532 |
| T13     | 23556 |
| T19     | 23556 |

Rev. 10 - 17/06/2009